

Directional valves ▶ Electrically operated

3/2-directional valve, Series DO35

▶ NC ▶ Qn = 130 - 140 l/min ▶ pipe connection ▶ Compressed air connection output: G 1/8 ▶ Electr. connection: Plug, ISO 4400, form A ▶ Manual override: with detent



00110100

Version	Poppet valve
Sealing principle	Soft sealing
Working pressure min./max.	0 bar / 10 bar
Ambient temperature min./max.	-10 °C / +50 °C
Medium temperature min./max.	-10 °C / +50 °C
Medium	Compressed air
Max. particle size	5 μm
Oil content of compressed air	0 mg/m³ - 5 mg/m³
Nominal flow 2 ▶ 3	120 l/min
Protection class with connection	IP65
Duty cycle	100 %
Mounting screw	M5

Materials:	
Seals	Fluorocautchouc

Technical Remarks

- The min. control pressure must be adhered to, since otherwise faulty switching and valve failure may result!
- The pressure dew point must be at least 15 °C under ambient and medium temperature and may not exceed 3 °C.
- The oil content of compressed air must remain constant during the life cycle.
- Use only the approved oils from AVENTICS, see chapter „Technical information“.

Operational voltage			Voltage tolerance			Power consumption	Switch-on power	Holding power
DC	AC 50 Hz	AC 60 Hz	DC	AC 50 Hz	AC 60 Hz	DC	AC 50 Hz	AC 50 Hz
						W	VA	VA
24 V	-	-	-10% / +10%	-	-	8	-	-
-	24 V	-	-	-10% / +10%	-	-	21	14
-	-	110 V	-	-	-10% / +10%	-	21	14
-	230 V	-	-	-10% / +10%	-	-	21	14

	MO	Compressed air connection			Operating voltage			Power consumption	Holding power	Part No.
		Input	Output	Exhaust	DC	AC 50 Hz	AC 60 Hz	DC	AC 50 Hz	
								[W]	[VA]	
		G 1/8	G 1/8	G 1/8	24 V	-	-	8	-	0820005101
					-	24 V	-	-	14	0820005103
					-	-	110 V	-	14	0820005102
					-	230 V	-	-	14	0820005100
					24 V	-	-	8	-	0820005151
					-	24 V	-	-	14	0820005153
					-	-	110 V	-	14	0820005152
					-	230 V	-	-	14	0820005150

Directional valves ▶ Electrically operated

3/2-directional valve, Series DO35

▶ NC ▶ $Q_n = 130 - 140$ l/min ▶ pipe connection ▶ Compressed air connection output: G 1/8 ▶ Electr. connection: Plug, ISO 4400, form A ▶ Manual override: with detent

Part No.	Switch-on power	Flow rate value	Note
	AC 50 Hz	Q_n 1 ▶ 2	
	[VA]	[l/min]	
0820005101	-	140	1)
0820005103	21		1)
0820005102	21		1)
0820005100	21		1)
0820005151	-		2)
0820005153	21		2)
0820005152	21		2)
0820005150	21		2)

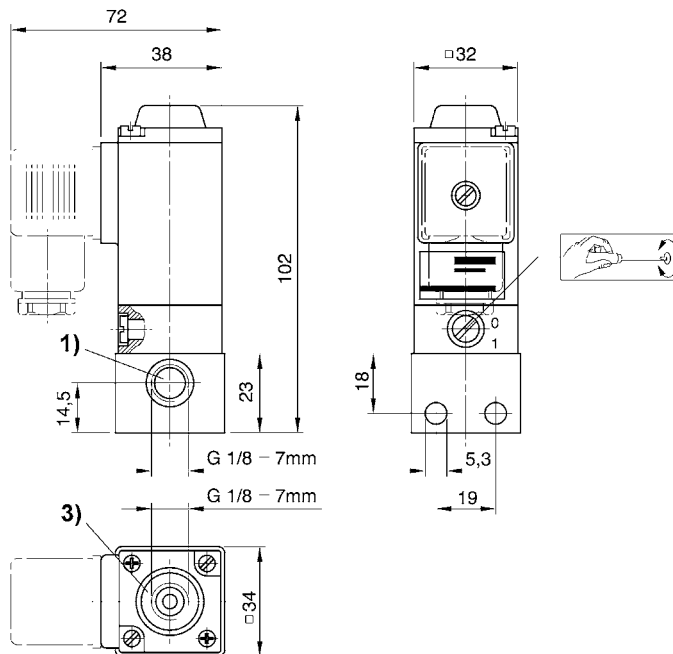
MO = Manual override

1) single connecting valve

2) manifold valve

Nominal flow Q_n at 6 bar and $\Delta p = 1$ bar

single connecting valve



00110101

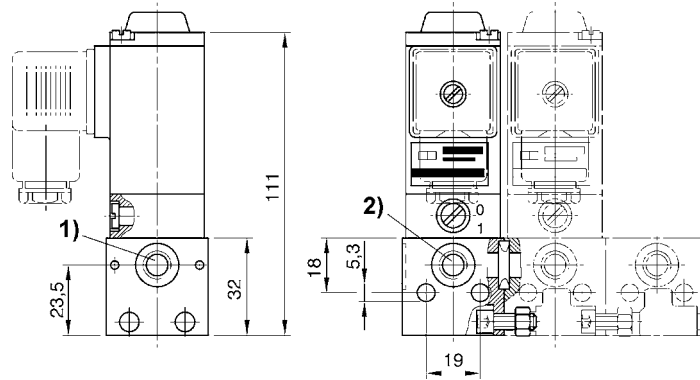
- 1) Port 1
3) Port 3

Directional valves ▶ Electrically operated

3/2-directional valve, Series DO35

▶ NC ▶ $Q_n = 130 - 140 \text{ l/min}$ ▶ pipe connection ▶ Compressed air connection output: G 1/8 ▶ Electr. connection: Plug, ISO 4400, form A ▶ Manual override: with detent

manifold valve



00110102

Scope of delivery: 2 screws M5x12, 2 nuts M5 DIN 934, 1 O-ring

1) Port 1

2) Port 2