

Date : Nov. 26, 2012

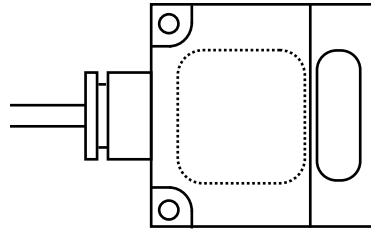
Optical Data Transmission Device
DMS-GF1A/B-02
DMS-HF1A/B-02
Specifications

• ×					
• ×					
△ × 4	Supply Voltage & Current Consumption	3 - 5	Oct.8'14	Yamaguchi	FA-7721
Symbol	Corrected Reason	Page	Date	Corrector	No.
Approved by	Checked by	Drawn by	Designed by	Title	Optical Data Transmission Device DMS-G/HF1A/B-02 series Specifications
HINO	HINO	IGUCHI	IGUCHI	Drawing No.	C-42-3827B 1 / 1

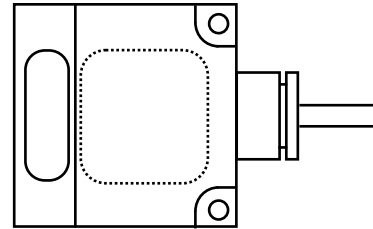
1. Features

- Optical transmission with signals through the interface of RS-232C
- Full duplex two-way transmission

2. Composition



DMS-G/HF1A-02

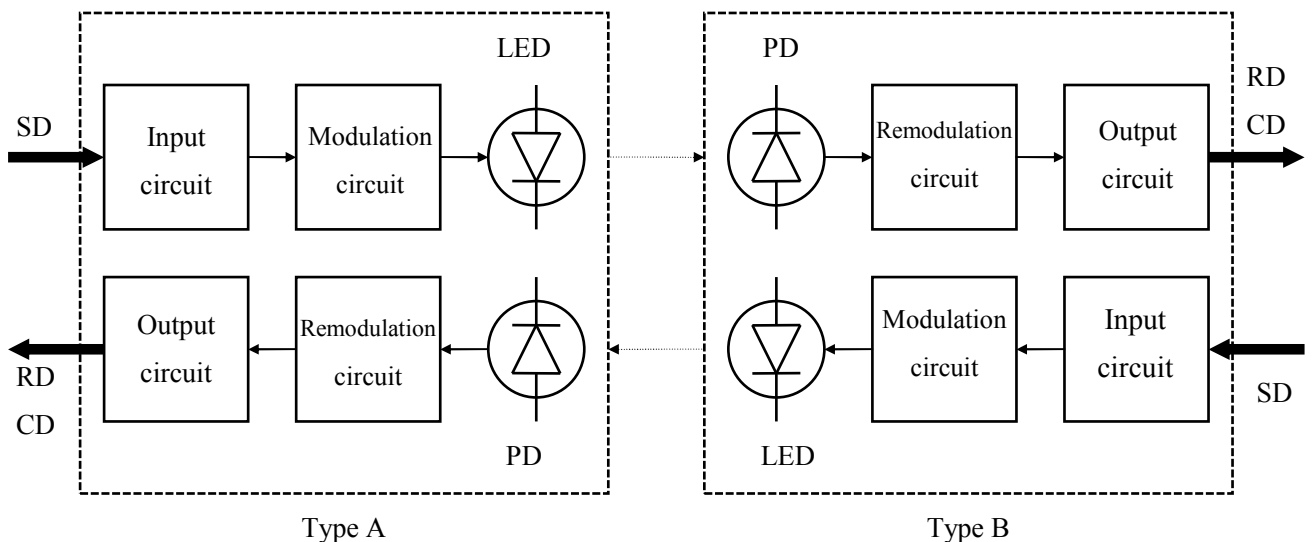


DMS-G/HF1B-02

3. Kinds

Model number	Transmission Frequency	Reception Frequency
DMS-G/HF1A-02	5.5MHz	6.0MHz
DMS-G/HF1B-02	6.0MHz	5.5MHz

4. Inner circuit block diagram



Since this device is full duplex two-way transmission system, modulation frequency is divided into type A and B, to prevent interference of transmission signal and reception signal each other. Therefore, be sure to use type A with transmission in 5.5MHz and reception in 6.0MHz and type B with transmission in 6.0MHz and reception in 5.5MHz, in pair.

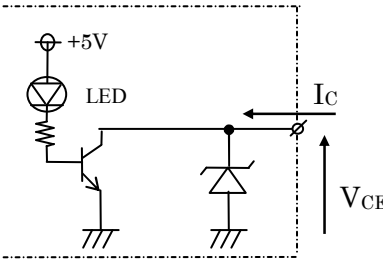
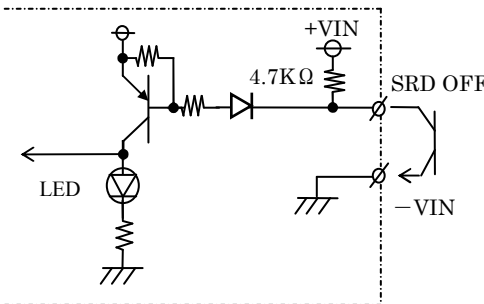
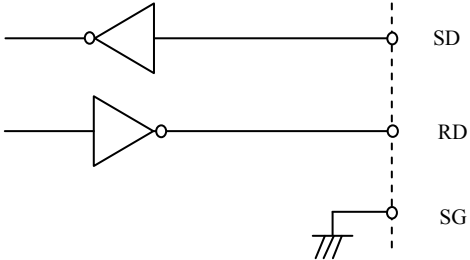
5. Specifications

Model number	DMS-GF1A-02	DMS-GF1B-02	DMS-HF1A-02	DMS-HF1B-02
Transmission Distance	1m			
Directional angle	Full angle 5 degree			
Transmission direction	HEAD-ON		SIDE-ON	
Power source	12 to 24VDC \triangle			
Current consumption	Max. 70mA (at 12V) Max. 50mA (at 24V) \triangle			
Transmission method	Full duplex two-way transmission			
Transmission speed	DC ~ 9600BPS			
Interface	RS-232C			
Modulated method	FSK			
Modulation frequency	Transmission 5.5MHz Reception 6.0MHz	Transmission 6.0MHz Reception 5.5MHz	Transmission 5.5MHz Reception 6.0MHz	Transmission 6.0MHz Reception 5.5MHz
CD output	NPN transistor Open-collector output			
Wiring	Flying lead wire (0.2mm ² 7-core shield wire)			
Ambient temperature and humidity	-10°C to +50°C, 85%RH or less (not frozen)			
Ambient illuminance	4,000 lux or less			
Impact resistance	500m/S ² 10 times in each X, Y and Z direction			
Vibration resistance	Double amplitude 1.5mm 10 to 55Hz for 2 hours in each X, Y and Z direction			
Protective structure	IP64			
Weight	250g (including Lead wire 2m)			
Indication lamp	POW : Power CD : Light-reception (Carrier Detect) RD : Serial signal reception SD : Serial signal sending SEL : Input to stop transmission/reception (SRD OFF)			
External Dimension	Drawing No. C-40-3534			

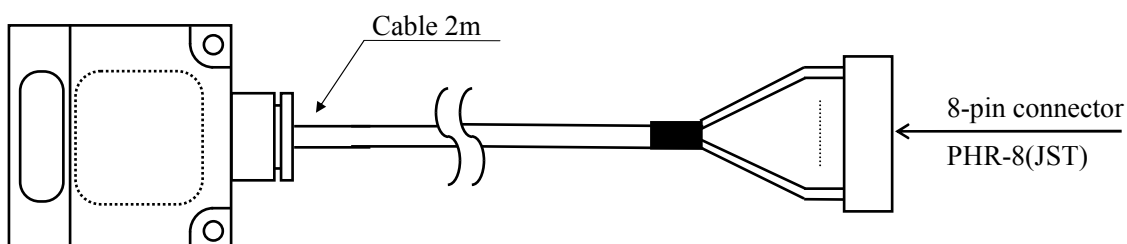
Note) This model is compatible communication with DM-GF1A/B and DM-HF1A/B, however the transmission distance (actual value) and the directional angle are different from them.

Title	Optical Data Transmission Device DMS-G/HF1A/B-02 Specifications	Drawing No.	C-42-3827B	3 / 3
-------	--	-------------	------------	-------

6. External Connection

Signal	Purpose	Circuit composition and Remarks
+VIN	Power source 12 to 24VDC \triangle	/
-VIN (COM)		
CD	Carrier Detect (ON when Carrier Detect)	 <p>NPN Open-collector output VCE30V or less, IC 50mA or less Residual voltage 1.8V or less</p>
SRD OFF (SEL)	Transmission/Reception stop (Stop transmission/ reception by shorted to -VIN)	 <p>ON voltage : 2V or less OFF voltage: 8V or more</p>
SD	Transmission Data (Input)	
RD	Reception Data (Output)	
SG	GND for signal	

7. Wiring



Note) The 8-pin connector attached on the end of the cable cannot be used as connecting terminal.

Pin No.	Color	Signal	Functions
1	Yellow	SD	Input (RS-232C)
2	Green	RD	Output (RS-232C)
3	Brown	SG	GND for Signal
4	Blue	CD	Carrier Detect output
5	White	SRD OFF	Transmission/Reception stop
6			
7	Black	-VIN	0V (Power source)
8	Red	+VIN	+12 to 24V (Power source) \triangle
Shield			Shield (cut inside of the shrinkable tube))

Note 1) Shield wire must not be connected to ground. To do so may cause electrical noises.

- Lead wire specifications

Items	Size and Diameter
Conductor size	0.18mm ²
Conductor outer dia.	0.54mm
Wire core dia.	1.1mm
Finish dia.	5.5 (+/-0.2mm)

Title	Optical Data Transmission Device DMS-G/HF1A/B-02 Specifications	Drawing No.	C-42-3827B	5 / 5
-------	--	----------------	------------	-------