

## Description

Pressure regulating unloader valve with stainless steel body, automatically relieves pressure from pump at shut-off. Suitable for Stainless Steel series.

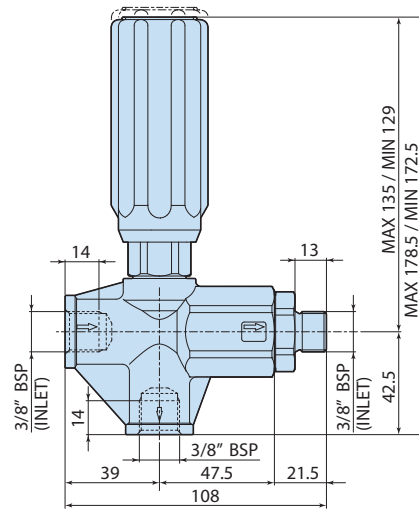
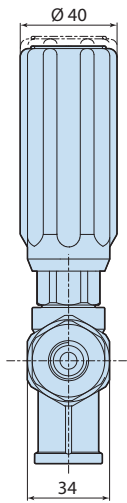
Max 200 bar, 45 l/min

INLET: 3/8" G (F), OUTLET: 3/8" G (M),

BY-PASS: 3/8" G (F)



Details	Value
Category	Accessories
Series	Regulating Valves - Valvole di regolazione
Versioning	VR SS
ARCode	21350
Output (lt/min)	45
Output (gpm)	11,88
Pressure (bar)	Max 200
Pressure (psi)	Max 2900



2268500