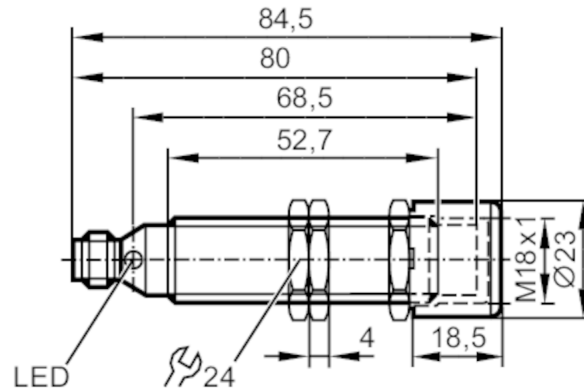


IG514A



Inductive sensor

IGA4010-CPKG/V4A/US/3D



Application

Installation use in hazardous areas only with installed protective cover

Electrical data

Operating voltage [V]	10...30 DC
Current consumption [mA]	< 20
Protection class	III
Reverse polarity protection	yes

Outputs

Electrical design	PNP
Output function	complementary
Max. voltage drop switching output DC [V]	2.5
Max. leakage current [mA]	0.1
Permanent current rating of switching output DC [mA]	100
Switching frequency DC [Hz]	300
Short-circuit protection	yes
Type of short-circuit protection	pulsed
Overload protection	yes

Detection zone

Sensing range [mm]	10
Real sensing range S_r [mm]	$10 \pm 10 \%$
Operating distance [mm]	0...8.1

Accuracy / deviations

Correction factor	steel: 1 / stainless steel: 0.7 / brass: 0.4 / aluminium: 0.3 / copper: 0.2
Hysteresis [% of S_r]	1...20
Switch point drift [% of S_r]	-15...15

IG514A



Inductive sensor

IGA4010-CPKG/V4A/US/3D

Operating conditions

Ambient temperature	[°C]	-20...60
Protection		IP 67

Tests / approvals

ATEX marking	II 3D Ex tc IIIC T80°C Dc X	
EMC	EN 61000-4-2 ESD	4 kV CD / 8 kV AD
	EN 61000-4-3 HF radiated	3 V/m
	EN 61000-4-4 Burst	2 kV
	EN 61000-4-6 HF conducted	3 V
	EN 55011 emission	class B
MTTF	[years]	1326

Mechanical data

Weight	[g]	303.5
Housing		threaded type
Mounting		non-flush mountable
Dimensions	[mm]	M18 x 1 / L = 80
Thread designation		M18 x 1
Materials		housing: stainless steel (1.4404 / 316L); sensing face: PBT orange; lock nuts: stainless steel; Protective cover: PA

Displays / operating elements

Display	switching status	4 x LED, yellow
---------	------------------	-----------------

Accessories

Accessories (supplied)	lock nuts: 3
	Protective cover: 1

Remarks

Pack quantity	1 pcs.
---------------	--------

Electrical connection - plug

Connector: 1 x M12



IG514A



Inductive sensor

IGA4010-CPKG/V4A/US/3D

Connection

