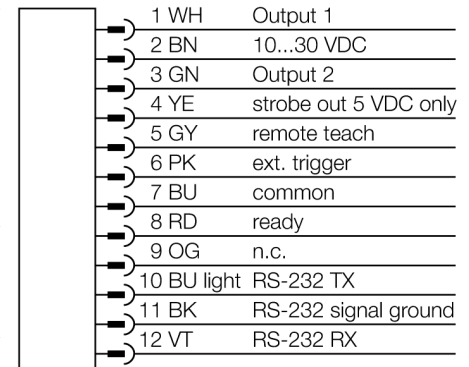




- 1/3" CMOS, 752x480 pixels
- Integrated ring light: white
- Protection class IP67
- External strobe output + 5 VDC
- External trigger input
- Lens, 8mm, M12x1
- Display: Integrated 65.5 mm LCD color display, 320 x 240 transreflective
- Operating voltage: 10...30 VDC
- M12 x 1 male, 12-pole
- 2xPNP switching output
- 1x RS232 data communication
- USB-2.0 host: M12 x 1 male, 8-pole

<b>Type code</b>	IVUTBPW08
Ident no.	3084856
<b>Design</b>	rectangular, iVu
Dimensions	51.5 x 81.2 x 95.3 mm
Housing material	plastic, PBT
Window material	Acrylic, clear
Connection	male, M12 x 1, 12-wire
Protection class	IP67
Ambient temperature	0...+50 °C
<b>Power on display</b>	LED, green
Switching state	LED green
Error indication	LED red
<b>Operating voltage</b>	10...30VDC
DC rated operational current	≤ 500 mA
Short-circuit protection	yes/ cyclic
Reverse polarity protection	yes
Switch element function	NO contact, PNP
Output current	≥ 150 mA
<b>Operating mode</b>	BCR
Bildsensor	CMOS
Auflösung	752 x 480 Pixel
Bildfrequenz	50 fps
Light type	white
Brennweite	8 mm

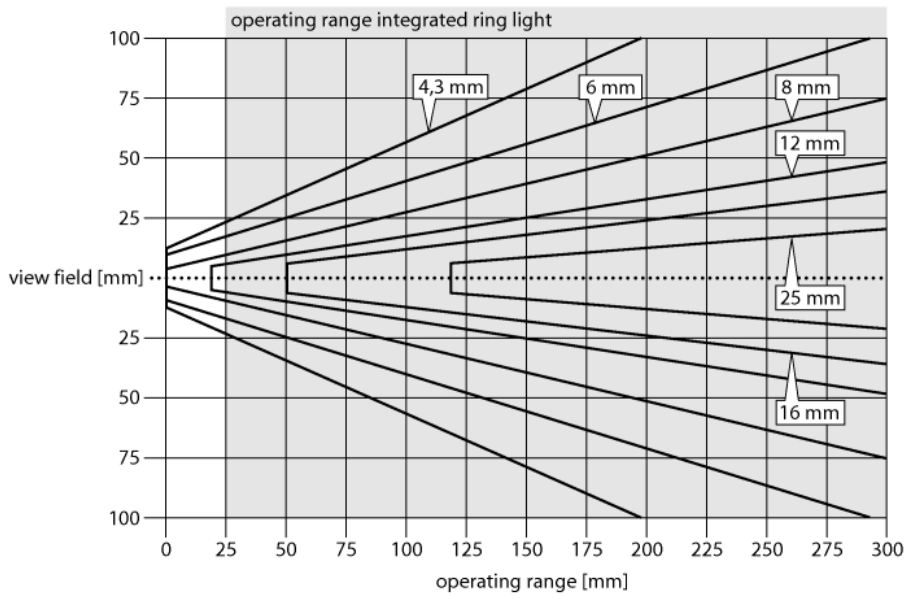
**Wiring diagram**



**Functional principle**

The barcode reader consists of a camera and an integrated light (not IVUTBPX version) to scan up to 10 different barcodes and to transmit the data via the RS232 interface. A selection can be configured for certain barcode types such as DataMatrix (ECC 200) and a number of linear codes such as Code128, Code39, CODABAR, Interleaved 2 of 5, EAN13, EAN8, UPCE, Postnet, IMB and Pharmacode.

Sensor configuration via PC is not required!  
Transmission of log files and firmware updates via USB interface.



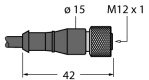
#### Selecting the focal length

With known object size or scan field the matching vision sensor is found simply by determining the ratio between the sensing range and the focal length. Use the graphics for selection. Here, the sensing ranges are put in relation to the field view and the lens focal length.

**Accessories**

Type code	Ident no.	Description	Dimension drawing
SMBIVURAR	3082547	Brackets for mounting on right side	 A technical drawing of a metal bracket for right-side mounting. It features a circular base with a central hole of diameter 25 mm and an outer diameter of 44 mm. A vertical arm extends from the base, with a hole of diameter 4.4 mm at the top. The distance from the base to the top hole is 16.8 mm. The total height of the bracket is 78.1 mm. The width of the base is 49 mm. There is a 1/4-20 thread hole on the base. The distance from the center of the base hole to the center of the top hole is 29.3 mm. The distance from the center of the base hole to the center of the top hole is 36.4 mm.
SMBIVURAL	3082546	Brackets for mounting on left side	 A technical drawing of a metal bracket for left-side mounting, similar to SMBIVURAR but mirrored. It features a circular base with a central hole of diameter 25 mm and an outer diameter of 44 mm. A vertical arm extends from the base, with a hole of diameter 4.4 mm at the top. The distance from the base to the top hole is 16.8 mm. The total height of the bracket is 78.1 mm. The width of the base is 49 mm. There is a 1/4-20 thread hole on the base. The distance from the center of the base hole to the center of the top hole is 29.3 mm. The distance from the center of the base hole to the center of the top hole is 36.4 mm.
SMBIVUU	3082549	U-bracket for base mounting (incl. SMBIVUB baseplate)	 A technical drawing of a U-shaped metal bracket. The base is 42 mm wide and 61.2 mm long. The height of the U-shaped part is 54 mm. The distance from the base to the top of the U-shaped part is 6.25 mm. The distance from the center of the base to the center of the top hole is 30 mm. The diameter of the top hole is 5.35 mm (8x). The diameter of the base hole is 25.4 mm.
SMBIVUB	3082548	Baseplate to extend the installation	 A technical drawing of a metal baseplate. It has a total length of 56.8 mm and a total width of 23.8 mm. The distance from the left edge to the center of the hole is 29 mm. The distance from the center of the hole to the right edge is 33.1 mm. The thickness of the plate is 5.8 mm. There are two M5 x 0.8 (2x) holes on the left side and one 1/4-20 UNC hole on the right side.

**Wiring accessories**

Type code	Ident no.	Description	Dimension drawing
MQDC2S-1206	3011420	Power supply, M12x1 female, 12-pole, 1.83m	 A technical drawing of a power supply connector. It has a total length of 42 mm. The diameter of the connector is 15 mm. The connector is M12 x 1.

**Wiring accessories**

Type code	Ident no.	Description	Dimension drawing
MQDEC-801-USB	3081158	USB adapter cable, M12x1 male, 8-pole, 0.3m	